

AP-270-MNT-H1 Mounting Kit

Installation Guide

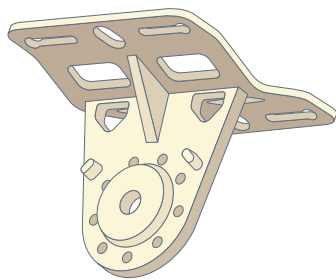


The AP-270-MNT-H1 mounting kit supports multiple access point (AP) models. To ensure proper installation, refer to the appropriate section in this document corresponding to your AP model.

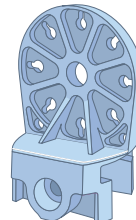
Package Content

- Horizontal Mounting Bracket x 1
- Mounting Holder x 1
- M10x30 Screw (with washer) x 1
- M10 Nut x 1
- M6x20 Screws x 3
- 60cm Cable Tie x 1
- 6 inches Hose Clamps x 2
- Mounting Template
- Installation Guide (this document)

Figure 1 *Horizontal Mounting Bracket and Mounting Holder*



Mounting Bracket



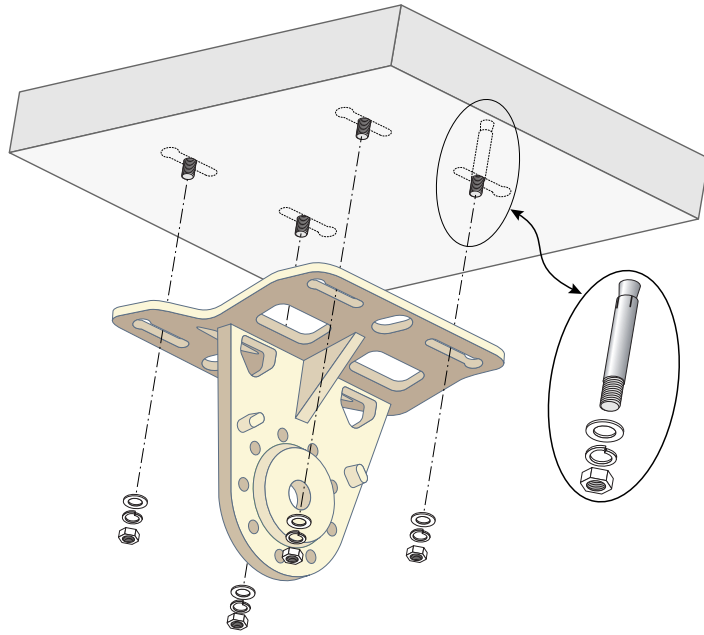
Mounting Holder

Installation for 274/275 AP Models

Mounting the AP to a Ceiling

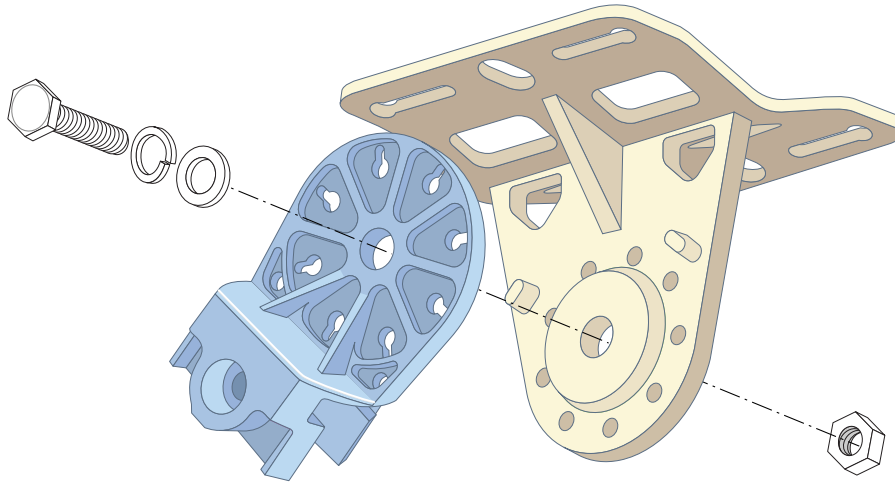
1. Use the mounting template provided in the AP-270-MNT-H1 package to mark the four mounting points on the ceiling.
2. Use a drill to make four holes on the four markings from the previous step.
3. Insert an anchor bolt into each drilled hole. Anchor bolts are not included in the package.
4. Place the mounting bracket over the anchor bolts and press the bracket against the ceiling.
5. Place the washers and nut onto the bolt's threaded end and tighten the nut until the mounting bracket is firmly attached to the ceiling as shown in [Figure 2](#).

Figure 2 Attaching the Mounting Bracket to a Ceiling



6. Use the M10x30 screw (with washer) and M10 nut included in the package to attach the mounting holder to the mounting bracket as shown in [Figure 3](#).

Figure 3 Attaching the Mounting Holder to the Mounting Bracket



7. Slide the holder of the AP into the opening of the mounting holder and use two M6x20 screws included in the package to fix the AP to the mounting holder as shown in [Figure 4](#).

Figure 4 *Attaching the AP to the Mounting Holder*

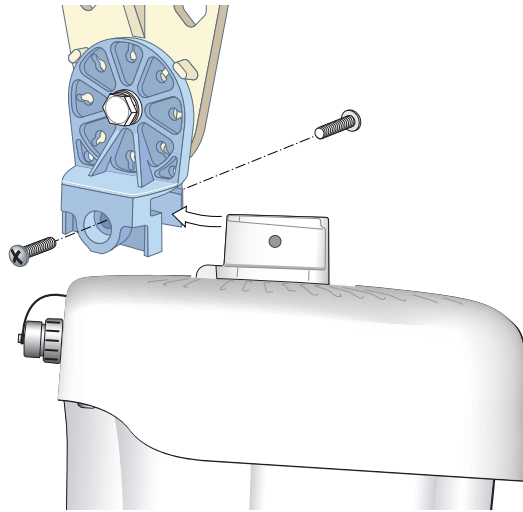
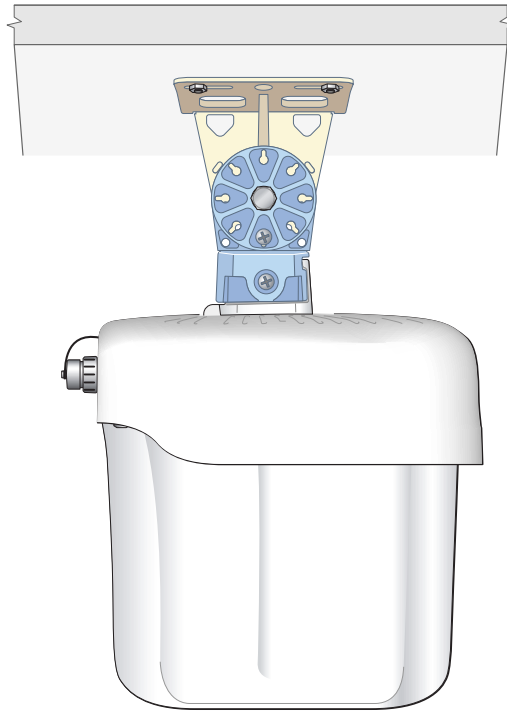
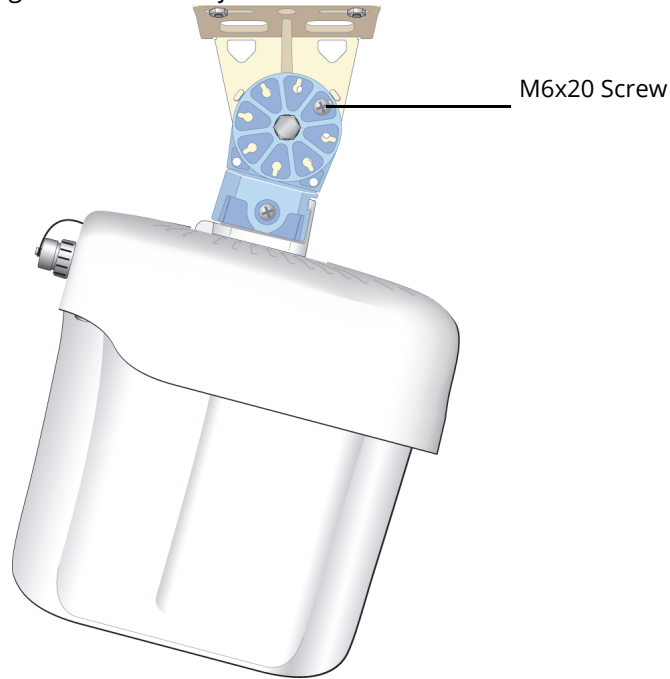


Figure 5 *Attaching the AP to the Mounting Holder (Completed)*



The inclination of the AP (mounted to the mounting holder) can be adjusted up to ± 45 degrees by inserting the M6x20 screw (included in the package) into the different holes on the mounting holder as show in [Figure 6](#).

Figure 6 Adjusting the inclination of the AP



8. Use the cable tie to fasten the cables on the bracket.

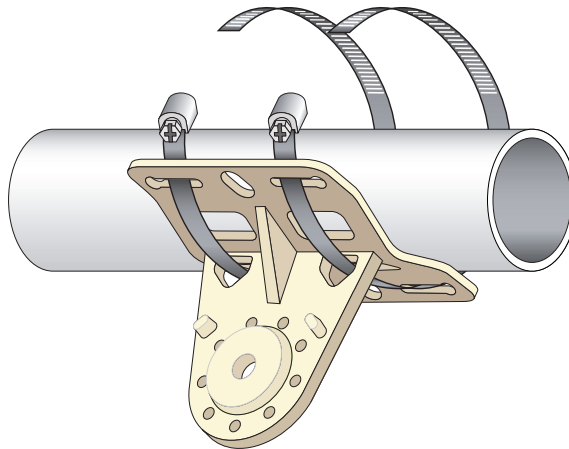
Mounting the AP to a Horizontal Pole

1. Begin by attaching the mounting bracket to the horizontal pole as shown in [Figure 7](#).
 - a. Pass a hose clamp through the two slots on the mounting bracket, attach the mounting bracket to the pole and tighten the clamp using a screw driver to twist its screw head.
 - b. Use another hose clamp through the other two slots on the mounting bracket and tighten the clamp.



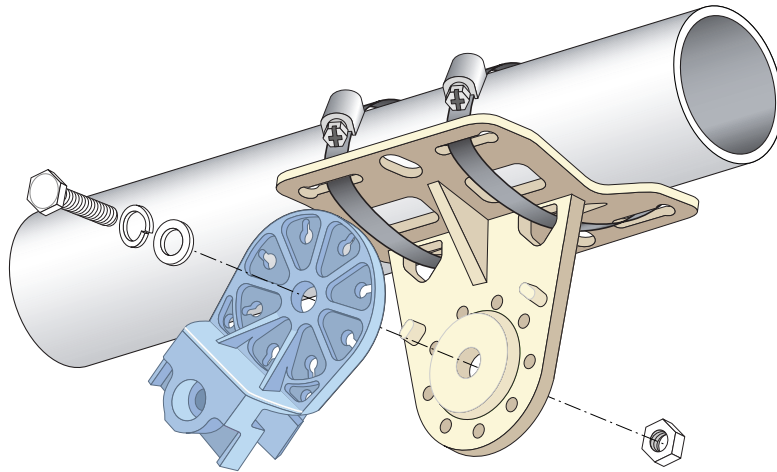
The hose clamps provided with the AP have an optimal pole diameter range of 4" to 6" (100 to 150mm). Outside of that, longer or shorter clamps may be required.

Figure 7 Attaching the Mounting Bracket to a Horizontal Pole



2. Use the M10x30 screw (with washer) and M10 nut included in the package to attach the mounting holder to the mounting bracket as shown in [Figure 8](#).

Figure 8 Attaching the Mounting Holder to the Mounting Bracket



3. Slide the holder of the AP into the opening of the mounting holder and use two M6x20 screws included in the package to fix the AP to the mounting holder as shown in [Figure 9](#).

Figure 9 Attaching the AP to the Mounting Holder

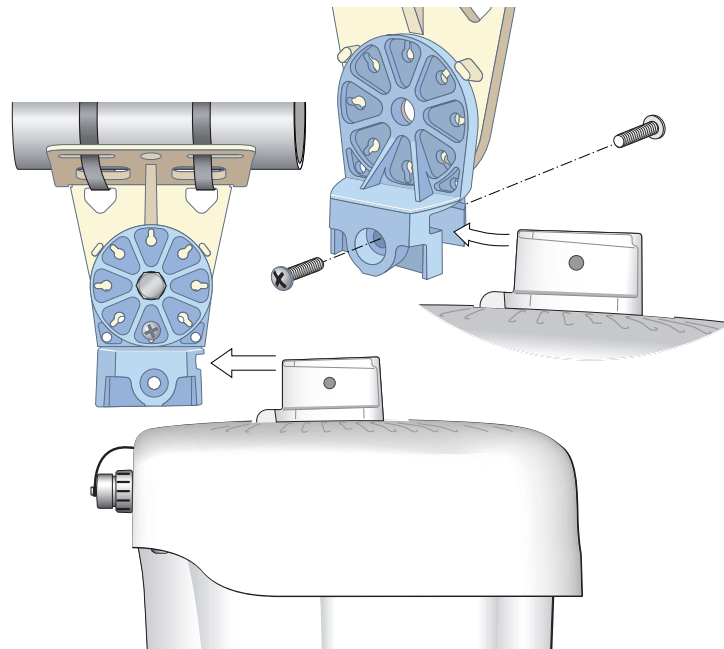


Figure 10 Attaching the AP to the Mounting Holder (Completed)



The inclination of the AP (mounted to the mounting holder) can be adjusted up to +/-45 degrees by inserting the M6x20 screw (included in the package) into the different holes on the mounting holder as show in [Figure 6](#).

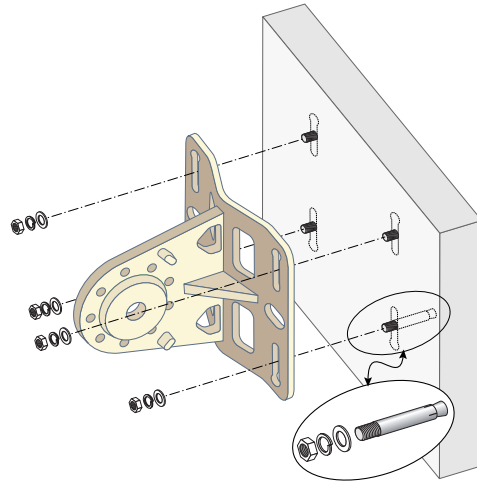
4. Use the cable tie to fasten the cables on the bracket.

Installation for 277 AP Model

Mounting the AP-277 Access Point to a Wall

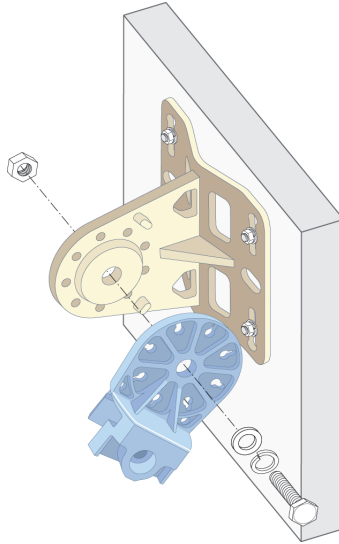
1. Use the mounting template provided in the AP-270-MNT-H1 package to mark the four mounting points on the wall.
2. Use a drill to make four holes on the four markings from the previous step.
3. Insert an anchor bolt into each drilled hole. Anchor bolts are not included in the package.
4. Place the mounting bracket over the anchor bolts and press the bracket against the wall.
5. Place the washers and nut onto the bolt's threaded end and tighten the nut until the mounting bracket is firmly attached to the wall as shown in [Figure 11](#).

Figure 11 *Attaching the Mounting Bracket to a Wall*



6. Use the M10x30 screw (with washer) and M10 nut included in the package to attach the mounting holder to the mounting bracket as shown in [Figure 12](#).

Figure 12 *Attaching the Mounting Holder to the Mounting Bracket*



7. Slide the holder of the AP into the opening of the mounting holder and use two M6x20 screws included in the package to fix the AP to the mounting holder as shown in [Figure 13](#).

Figure 13 Attaching the AP to the Mounting Holder

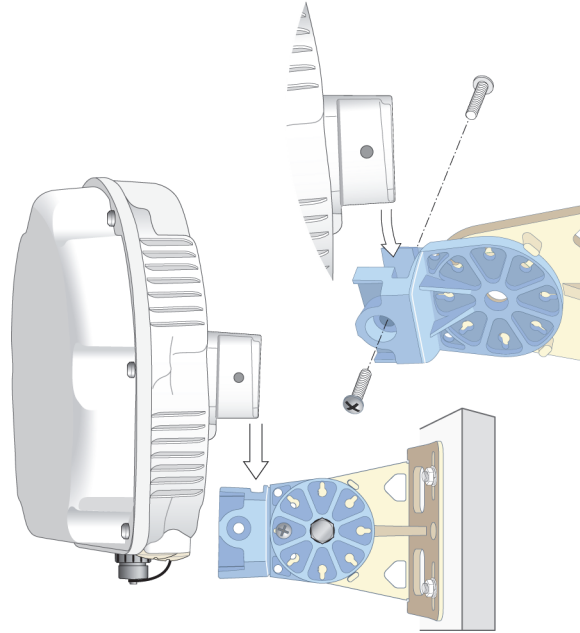
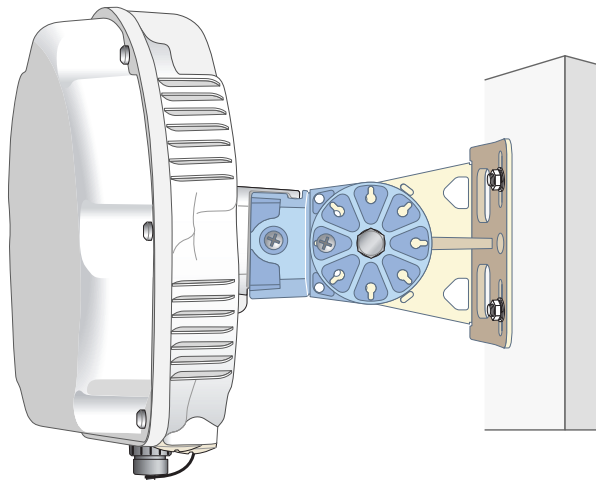


Figure 14 Attaching the AP to the Mounting Holder (Completed)



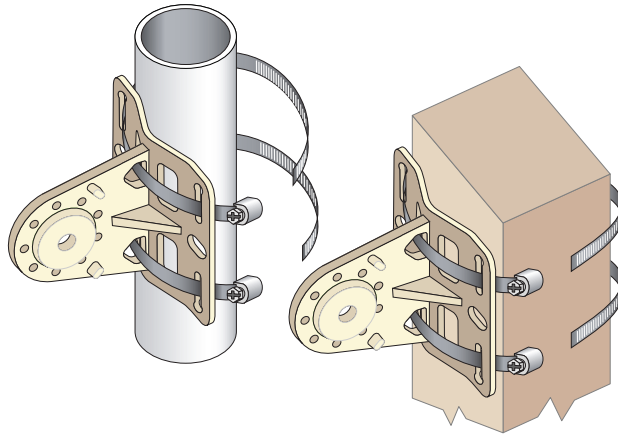
The inclination of the AP (mounted to the mounting holder) can be adjusted up to ± 45 degrees by inserting the M6x20 screw (included in the package) into the different holes on the mounting holder.

8. Use the cable tie to fasten the cables on the bracket.

Mounting the AP to a Pole

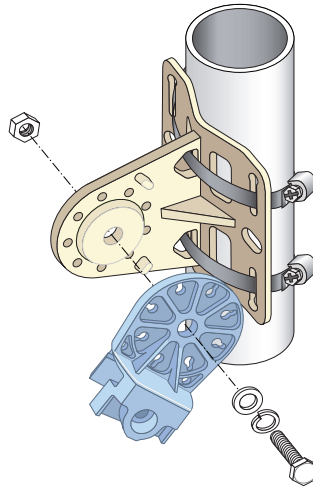
1. Begin by attaching the mounting bracket to the pole as shown in [Figure 15](#).
 - a. Pass a hose clamp through the two slots on the mounting bracket, attach the mounting bracket to the pole and tighten the clamp using a screw driver to twist its screw head.
 - b. Use another hose clamp through the other two slots on the mounting bracket and tighten the clamp.

Figure 15 Attaching the Mounting Bracket to a Pole



2. Use the M10x30 screw (with washer) and M10 nut included in the package to attach the mounting holder to the mounting bracket as shown in [Figure 16](#).

Figure 16 Attaching the Mounting Holder to the Mounting Bracket



3. Slide the holder of the AP into the opening of the mounting holder and use two M6x20 screws included in the package to fix the AP to the mounting holder as shown in [Figure 17](#).

Figure 17 Attaching the AP to the Mounting Holder

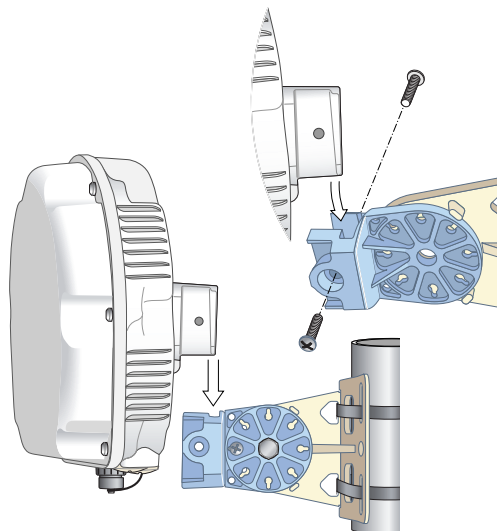
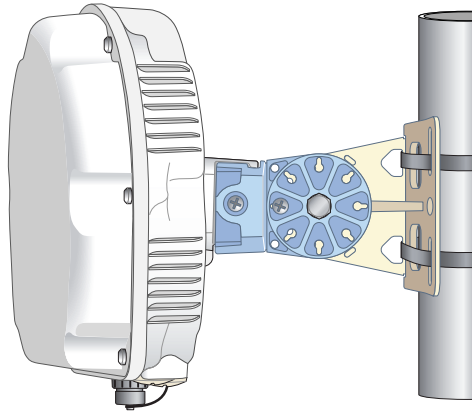


Figure 18 *Attaching the AP to the Mounting Holder (Completed)*



The inclination of the AP (mounted to the mounting holder) can be adjusted up to ± 45 degrees by inserting the M6x20 screw (included in the package) into the different holes on the mounting holder.

4. Use the cable tie to fasten the cables on the bracket.

This page is intentionally left blank

This page is intentionally left blank

